



INSTALLATION INSTRUCTIONS

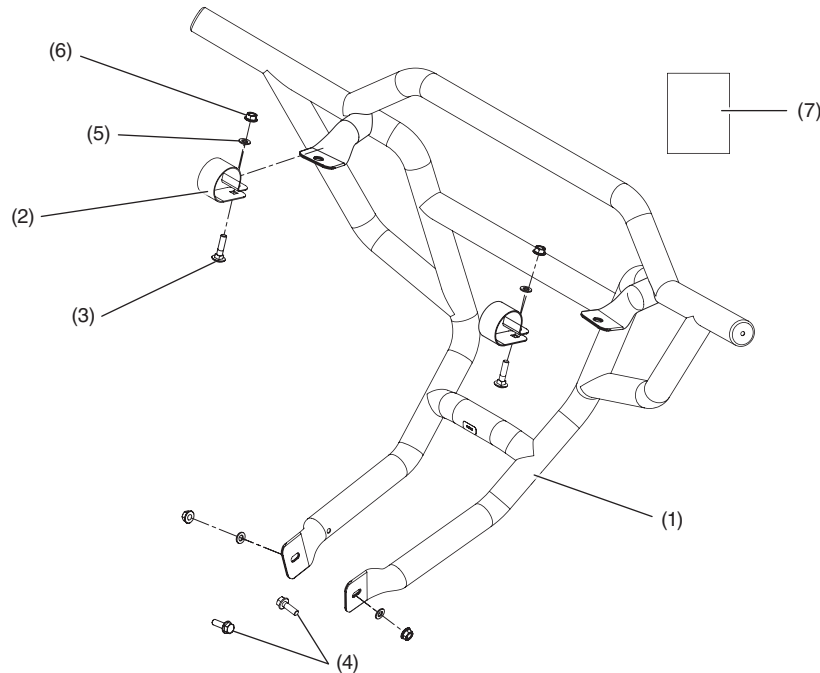
Accessory
REAR BUMPER
 P/N OSP73-HL6-C00
 Includes OSP73-HL6-A00 &
 OSP73-HL6-C80

Application
SXS1000S2X
SXS1000S2R

Publication No.
MII 16561
 Issue Date
May 2022

Honda Dealer: Please give a copy of these instructions to your customer.

PARTS LIST



No.	Description	Qty
(1)	Rear Bumper	1
(2)	Clamp	2
(3)	35 mm Carriage bolt	2
(4)	12 x 25 mm Flange bolt	2
(5)	Washer	4
(6)	Flange nut	4
(7)	Installation Instruction URL	1

TORQUE CHART

Tighten all screws, bolts, and nuts to their specified torque values. Refer to the Service Manual for the torque values of the removed parts.

Item	N·m	kgf·m	lbf·ft
12 mm flange bolt	20	2.2	16
5 mm shoulder bolt (Original bolt)	4	0.4	2.95

TOOLS REQUIRED

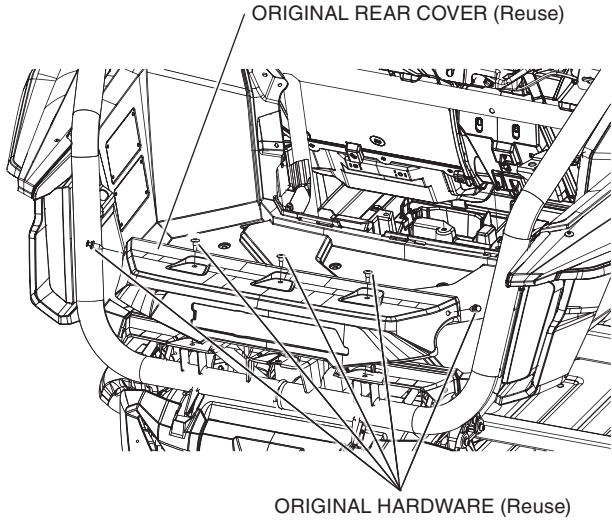
- Socket (12 mm)
- Ratchet
- Torque wrench
- Box-end wrench (12 mm)
- Hex wrench (5 mm)

INSTALLATION

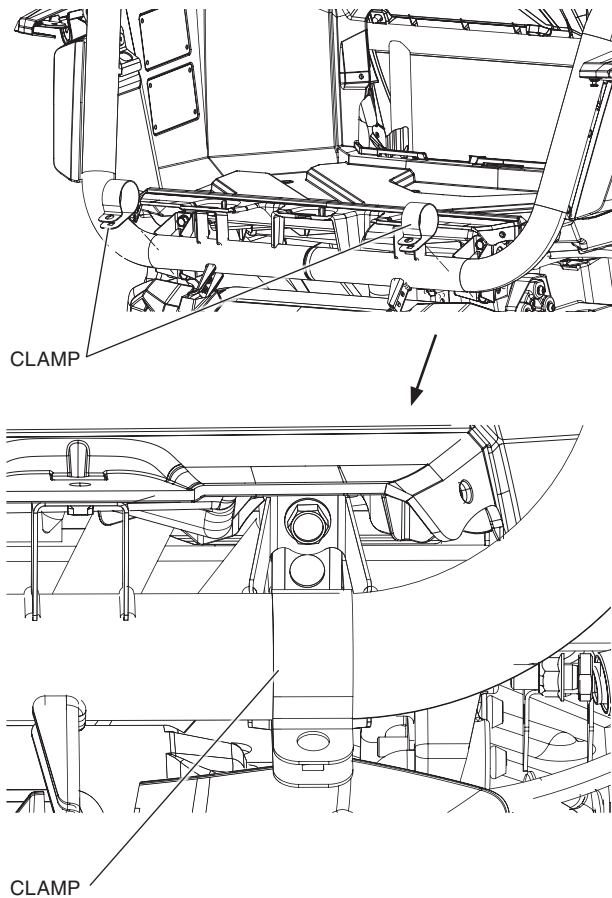
⚠ CAUTION

To prevent burns, allow the engine, exhaust system, radiator, etc., to cool before installing the accessory.

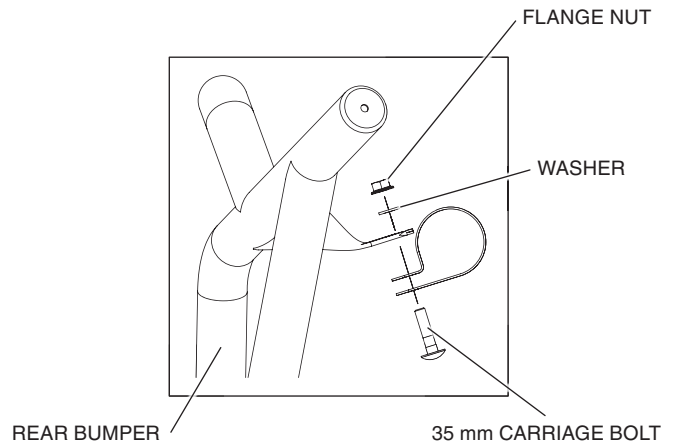
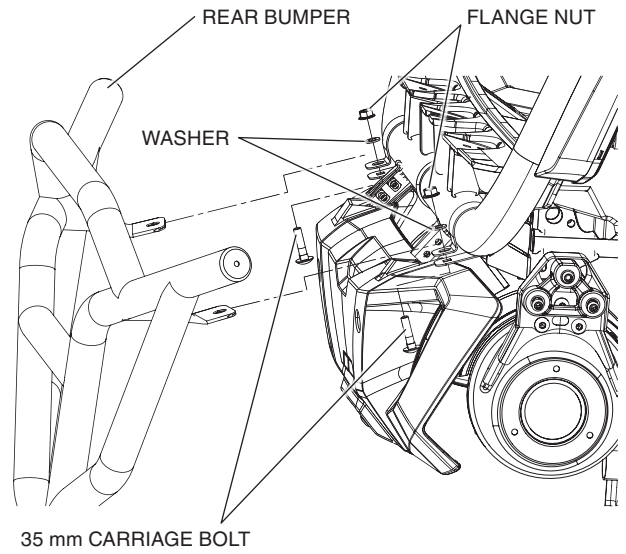
1. Remove the original rear cover and the original hardware from the rear tube as shown.



2. Install both clamps on the rear tube as shown.

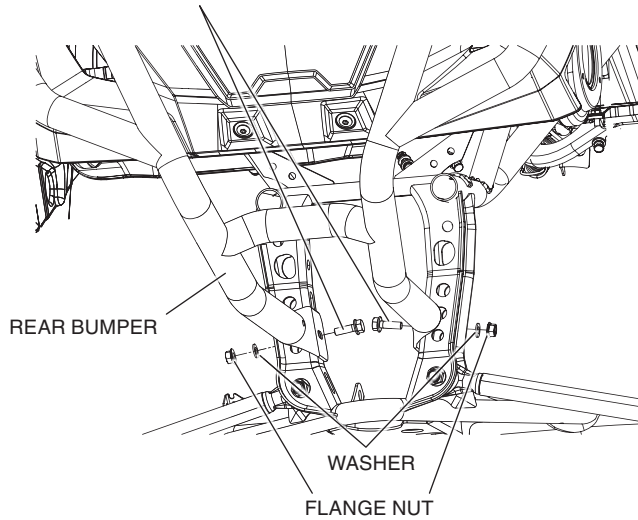


3. Loosely install the top of the rear bumper on the top of the clamps using the 35 mm carriage bolts, washers and flange nuts as shown.

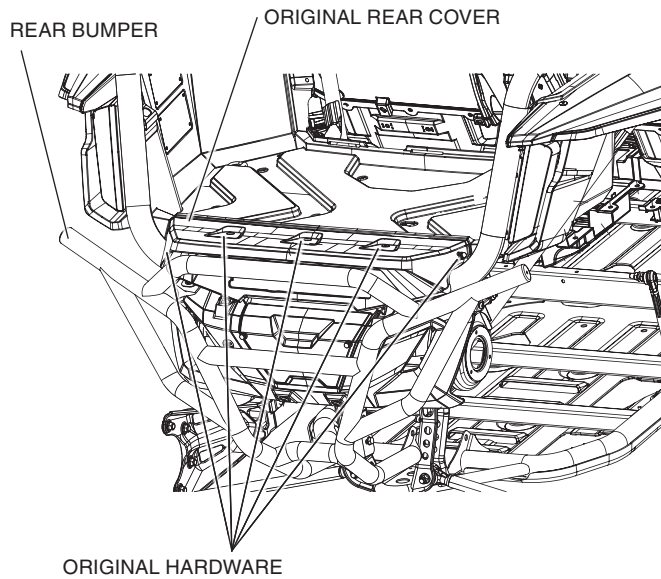


- Loosely install the bottom of the rear bumper using the 12 × 25 mm flange bolts, washers and flange nuts as shown.

12 × 25 mm FLANGE BOLT



- Tighten all bolts to the values specified in the TORQUE CHART.
- Reinstall the original rear cover to the rear tube using the original hardware as shown.





INSTALLATION INSTRUCTIONS

Accessory

REAR BUMPER REFLECTOR MOUNT
P/N 0SP73-HL6-C80

Application

SXS1000S2X/S2XD/S2R/
S2 D S4X/S4XD

Publication No.

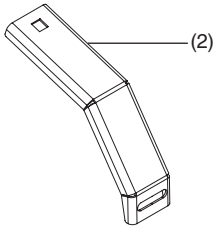
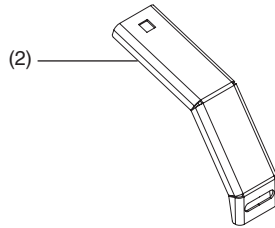
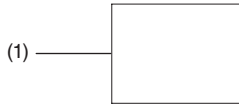
MII 17811

Issue Date

May 2022

Honda Dealer: Please give a copy of these instructions to your customer.

PARTS LIST



TORQUE CHART

Item	N·m	kgf·m	lbf·ft
M8 carriage bolt	24.5 ± 3.5	2.49 ± 0.30	18 ± 3
M6 nut	10 ± 2	1.03 ± 0.21	7.4 ± 1.5

No.	Description	Qty
(1)	Installation Instruction URL	1
(2)	Rear reflector bracket	2

PARTS REQUIRED

Steel rear bumper (P/N 0SP73-HL6-A00)

OR

Aluminum rear bumper (P/N 0SP83-HL6-A00)

TOOLS REQUIRED

Open-end wrench (12 mm)

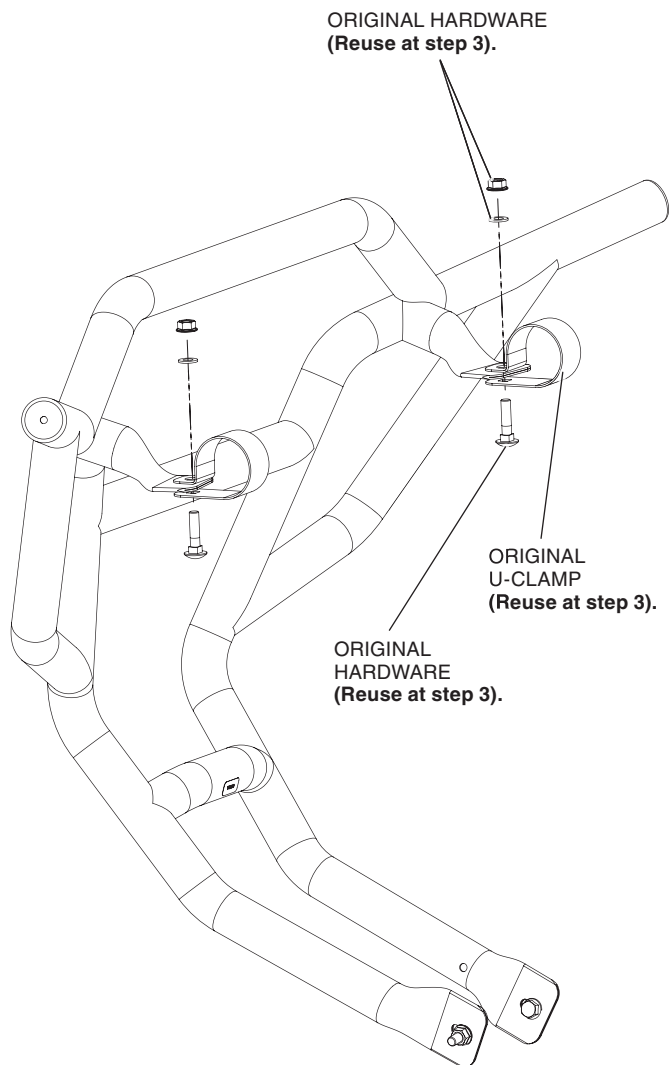
Open-end wrench or socket (10 mm)

INSTALLATION

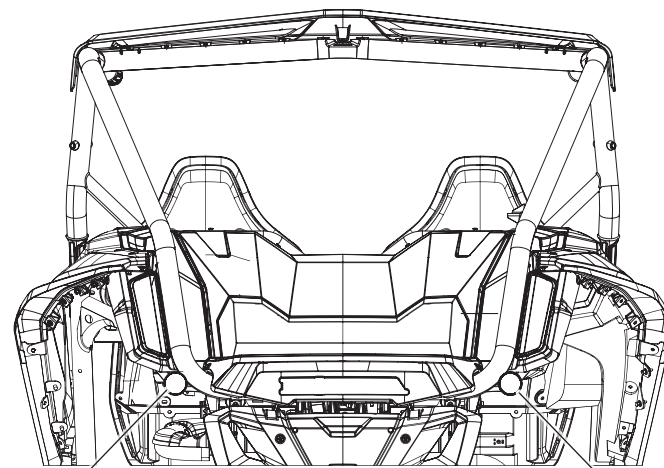
⚠ CAUTION: To prevent burns, allow the engine, exhaust system, radiator, etc., to cool before installing the accessory.

NOTE: Images are for Aluminum rear bumper, but rear steel bumper has the same steps.

1. Remove the existing original hardware of the rear bumper prior to install the rear reflector bracket. (Driver and passenger side rear bumper bracket)

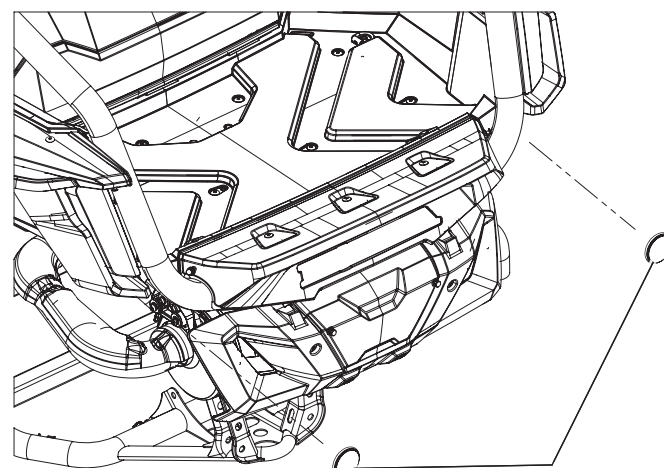


2. Remove the existing original reflector and hardware of the vehicle.



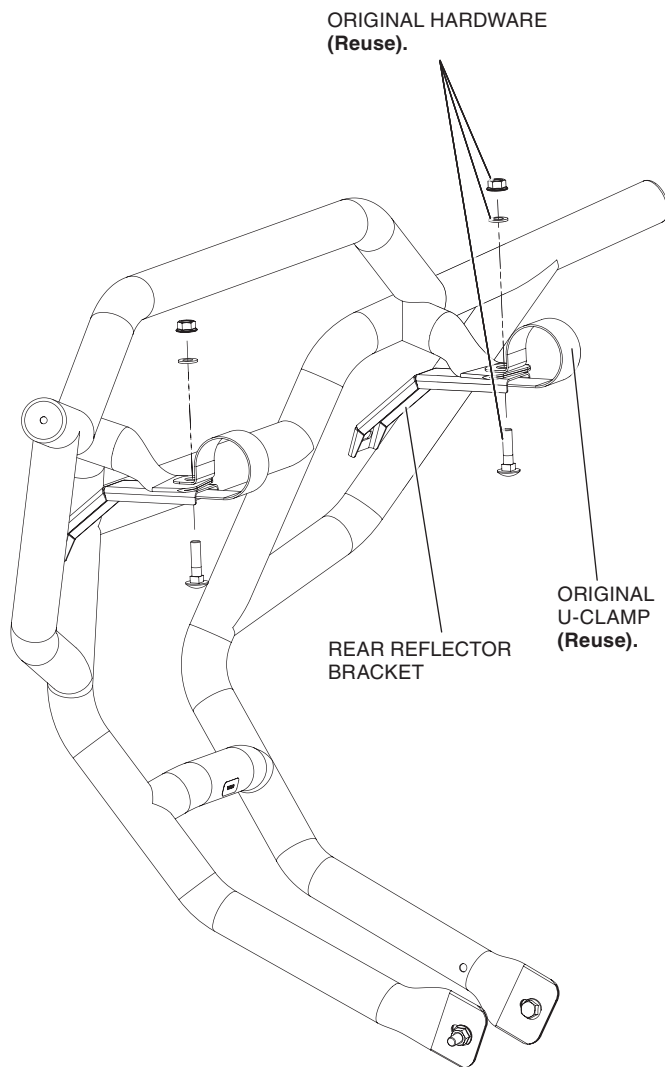
ORIGINAL REFLECTOR & HARDWARE (Reuse at step 5).

ORIGINAL REFLECTOR & HARDWARE (Reuse at step 5).

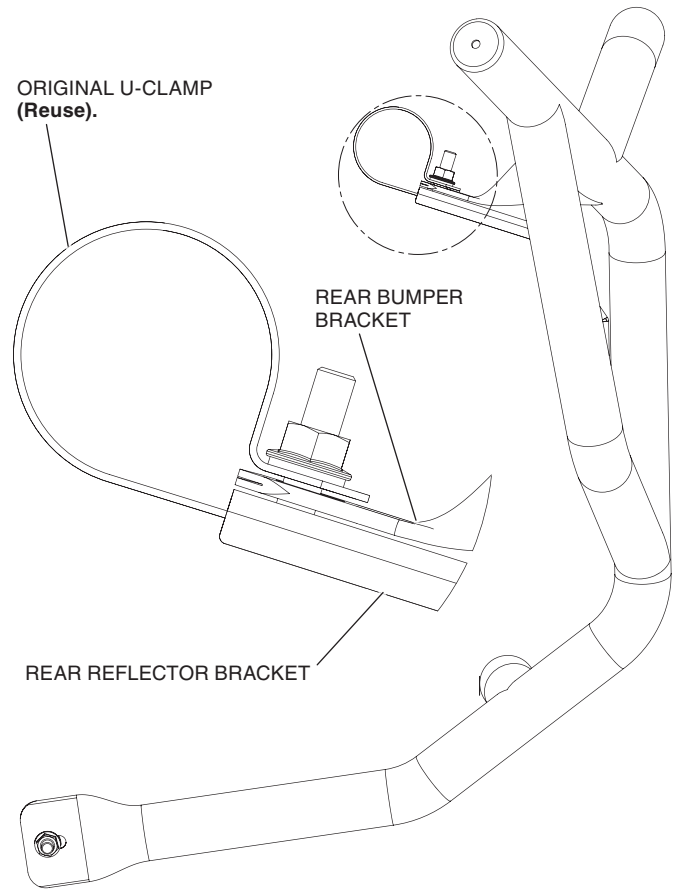


ORIGINAL REFLECTOR & HARDWARE (Reuse at step 5).

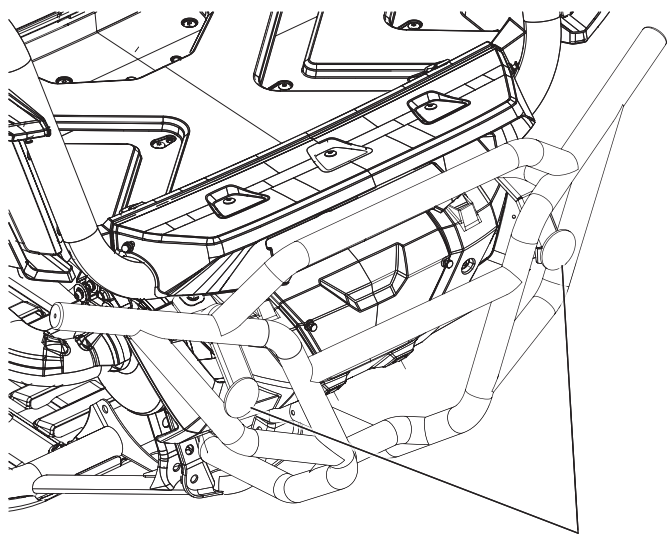
3. Install the rear reflector bracket between the rear bumper flatten tube and the u-clamp than re-insert the original hardware.



4. Tighten hex nut to the required torque as per the TORQUE CHART on page 1 of this document.



5. Install the original reflectors by using the original hardware on the reflector brackets. Tighten hardware to the required torque as per the TORQUE CHART on page 1 of this document.



ORIGINAL REFLECTOR
& HARDWARE